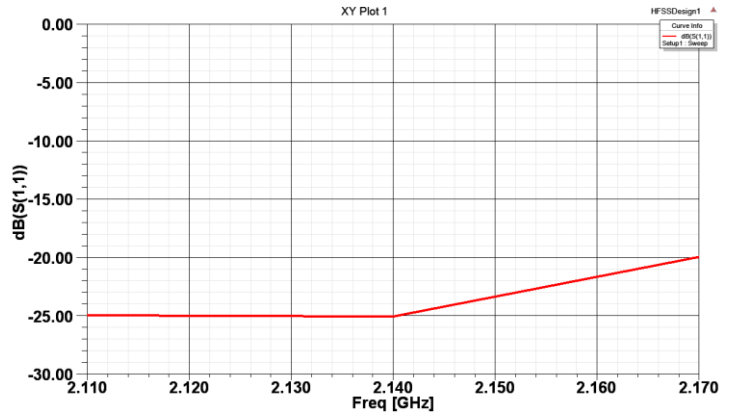
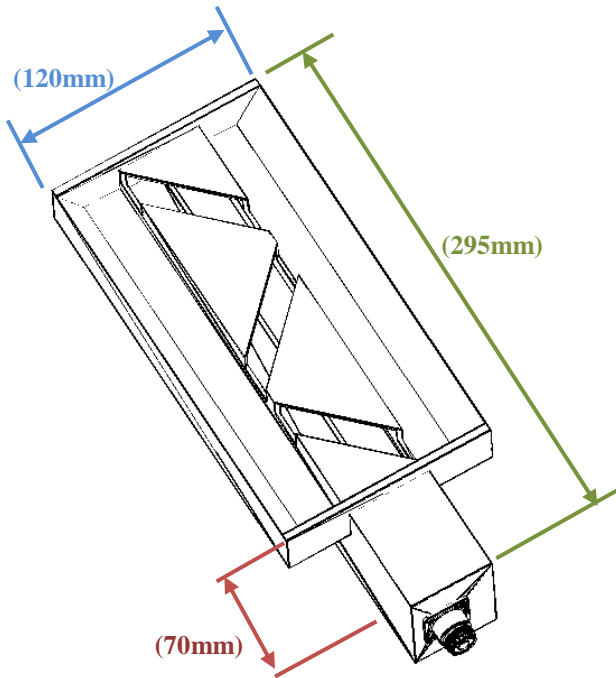


High Power Base Station Antennas

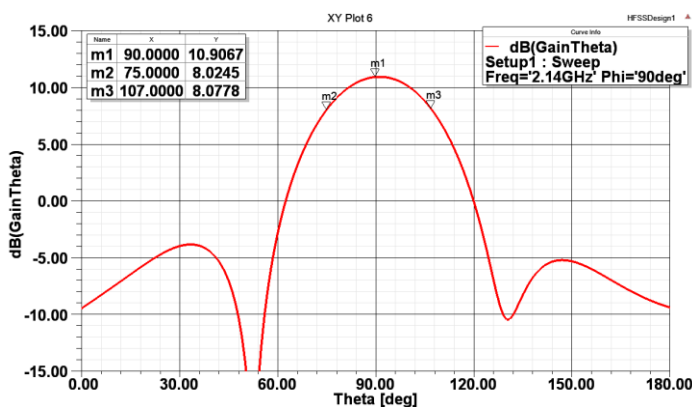
Model Number : HPBSA-2.11-2.17N



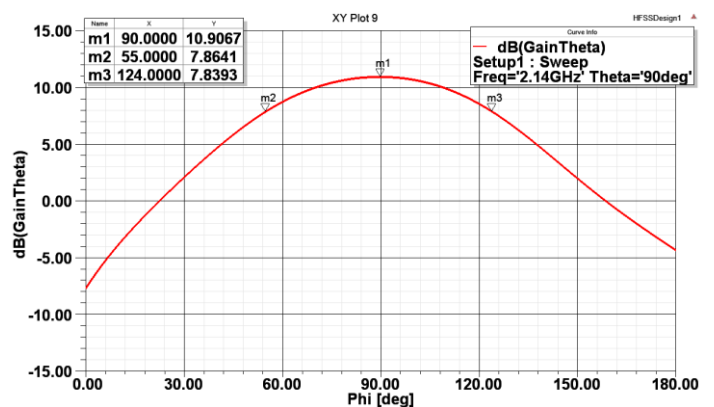
Return Loss

SPECIFICATION :

1. FREQUENCY RANGES : 2110-2170 MHz
2. Gain : >11dBi
3. Beam Width : 35° x 65°



Elevation pattern



Azimuth pattern