

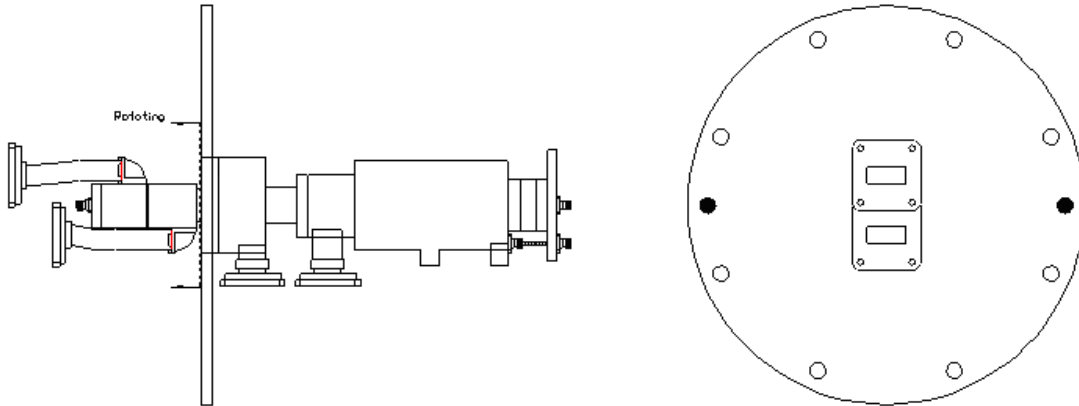


VICTORY MICROWAVE CORPORATION

4 CHANNEL ROTARY JOINT

Model Number : RJ4CHXXXX-2W2S

Part Number : 6724A000-1



SPECIFICATIONS

FUNCTION	CH.#1~2(W/G)	CH.#3~4(SMA)	
FREQUENCY	8.5~10GHz	8.5~10GHz	MATERIAL : ALUMINUM FINISH : COLOR NO.36231 (GREY) EPOXY PAINT ENVIRONMENTAL REQUIREMENT: MIL-E-5400 CLASS III MARKING : 3/32"BLACK CHAR'S /MIL-STD-130
VSWR	1.35MAX	1.5	
INSERTION LOSS(Max)	0.4dB	0.8dB	
PEAK POWER	250KW	20W	
AVERAGE POWER	500W	10W	
LOSS WOW/360°(Max)	0.1dB	0.3dB	
VSWR WOW/360°(Max)	0.1	0.3	
CHANNEL ISOLATION	-----60dB-----		
ROTATION SPEED	50RPM		
COAXIAL CONN.IMPED	50 OHM		
PRESSURIZATION LEAK RATE : 30PSIG 5CC/MIN. MAX			
STARTING TORQUE : 60 OZ-in			

4 CHANNEL ROTARY JOINT

Victory Microwave Corporation
 No.396, Fude 1st Rd.
 Xizhi Dist.,New Taipei City
 22150 Taiwan (R.O.C)

Tel : +8862-8693-3799
 Fax: +8862-8693-3798
 Email: micsales@vicmic.com.tw
 Website: www.vicmic.com.tw