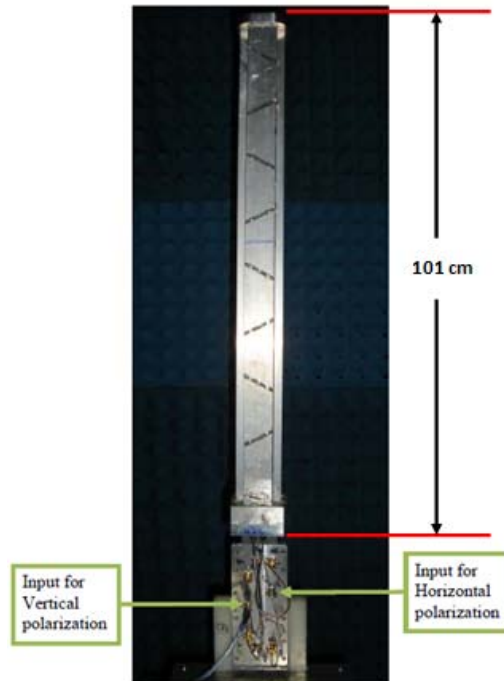




VICTORY MICROWAVE CORPORATION

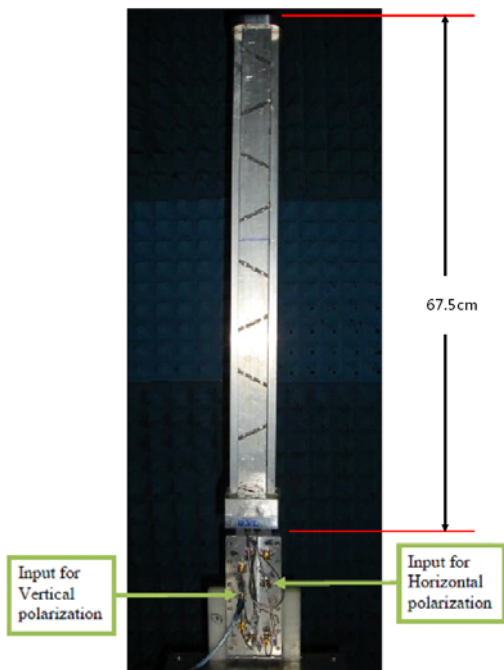
Dual Polarized Omni Slot Array Antennas

US Patent No.: US 8,610,633 B2



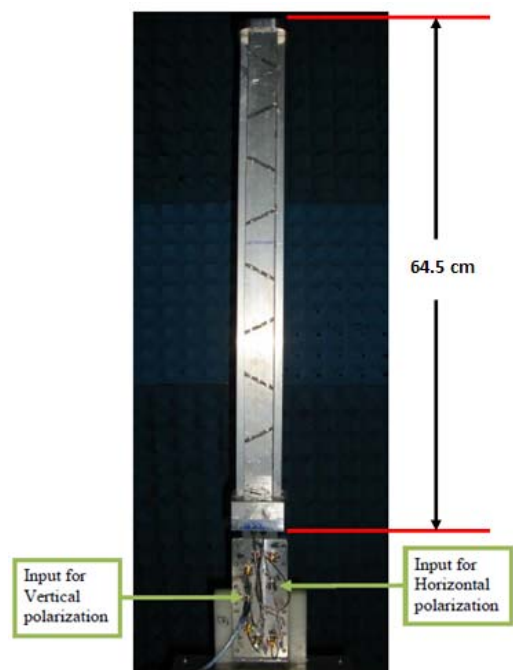
1.8845 - 1.9196GHz

Dual Polarized Slot Array Antenna



2.4 - 2.5GHz

Dual Polarized Slot Array Antenna



2.545 - 2.575GHz

Dual Polarized Slot Array Antenna

Victory Microwave Corporation
No.396, Fude 1st Rd,
Xizhi Dist., New Taipei City
22150, Taiwan, R.O.C.

Tel : +8862-8693-3799
Fax: +8862-8693-3798
Email: micsales@vicmic.com.tw
Website: www.vicmic.com.tw



US008610633B2

(12) **United States Patent**
Chen et al.

(10) **Patent No.:** **US 8,610,633 B2**

(45) **Date of Patent:** **Dec. 17, 2013**

(54) **DUAL POLARIZED WAVEGUIDE SLOT ARRAY AND ANTENNA**

(56) **References Cited**

(75) Inventors: **Ming H. Chen**, Rancho Palos Verdes, CA (US); **Di-Shang Hsu**, Wujie Township (TW)

U.S. PATENT DOCUMENTS

2,772,400 A * 11/1956 Simmons 333/21 R
5,914,694 A * 6/1999 Raab 343/771
7,327,325 B2 2/2008 Schadler

(73) Assignee: **Victory Microwave Corporation** (TW)

* cited by examiner

(*) Notice: Subject to any disclaimer, the term of this patent is extended or adjusted under 35 U.S.C. 154(b) by 244 days.

Primary Examiner — Dieu H Duong
(74) *Attorney, Agent, or Firm* — Clifford Perry

(21) Appl. No.: **13/163,936**

(57) **ABSTRACT**

(22) Filed: **Jun. 20, 2011**

(65) **Prior Publication Data**

US 2012/0038530 A1 Feb. 16, 2012

Related U.S. Application Data

(60) Provisional application No. 61/372,214, filed on Aug. 10, 2010.

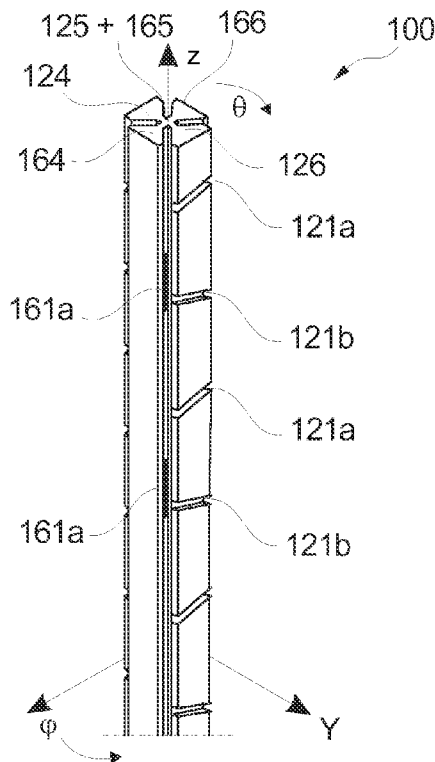
A dual polarized waveguide slot array includes a first waveguide and a second waveguide. The first waveguide includes major and minor cross-sectional axes and extends along a common longitudinal axis. The first waveguide further includes a plurality of slots disposed thereon for radiating or receiving signals of a first polarization. The second waveguide is coupled to the first waveguide, extending along the common longitudinal axis and having major and minor cross-sectional axes. The major cross-sectional axis of the second waveguide oriented substantially orthogonally to the cross-sectional axis of the first waveguide, and the second waveguide includes a plurality of slots disposed thereon for radiating or receiving signals of a second polarization substantially orthogonal to the first polarization.

(51) **Int. Cl.**
H01Q 13/10 (2006.01)

(52) **U.S. Cl.**
USPC 343/771; 343/767; 343/770; 343/772

(58) **Field of Classification Search**
USPC 343/770, 771, 767, 772, 762
See application file for complete search history.

26 Claims, 14 Drawing Sheets



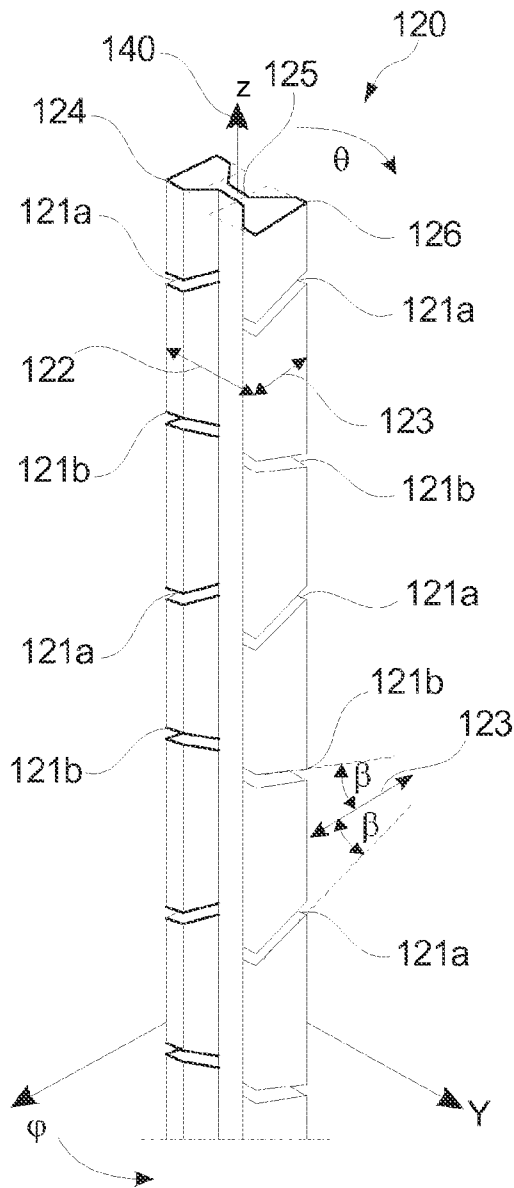


Fig. 1A

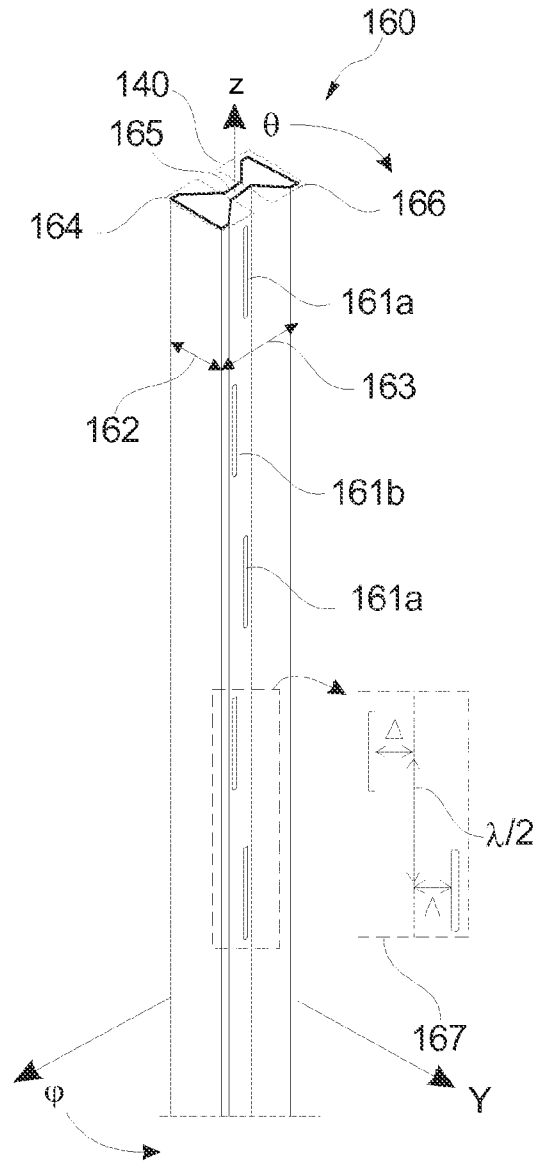
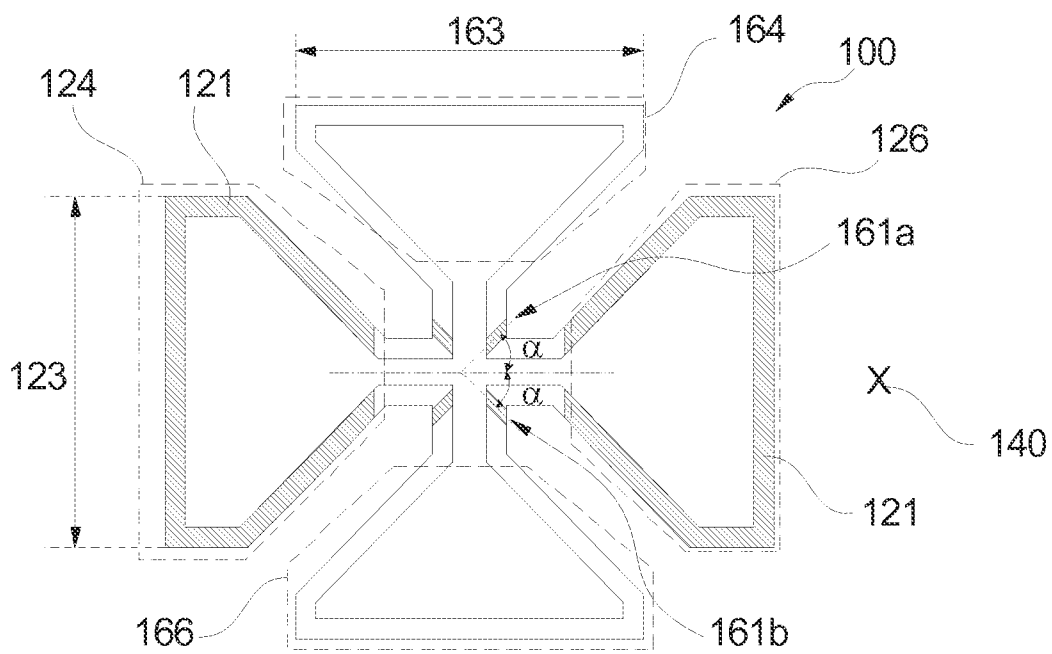
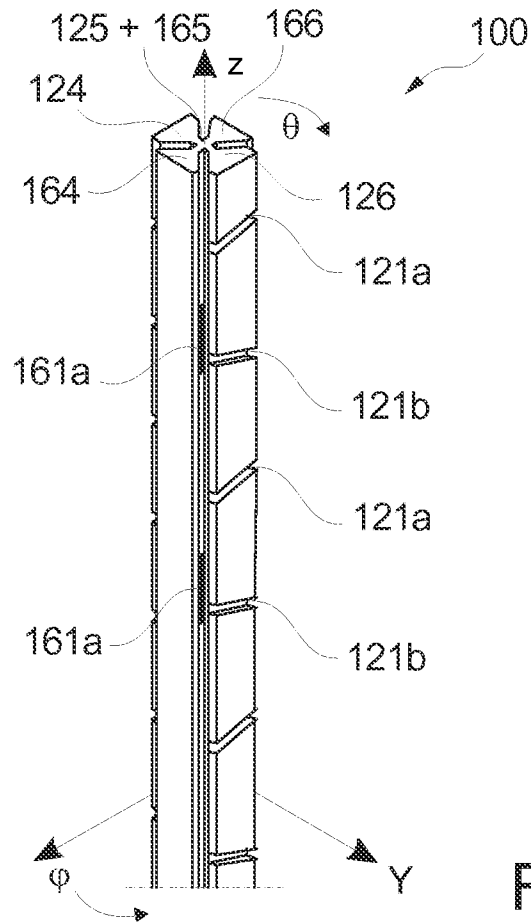


Fig. 1B



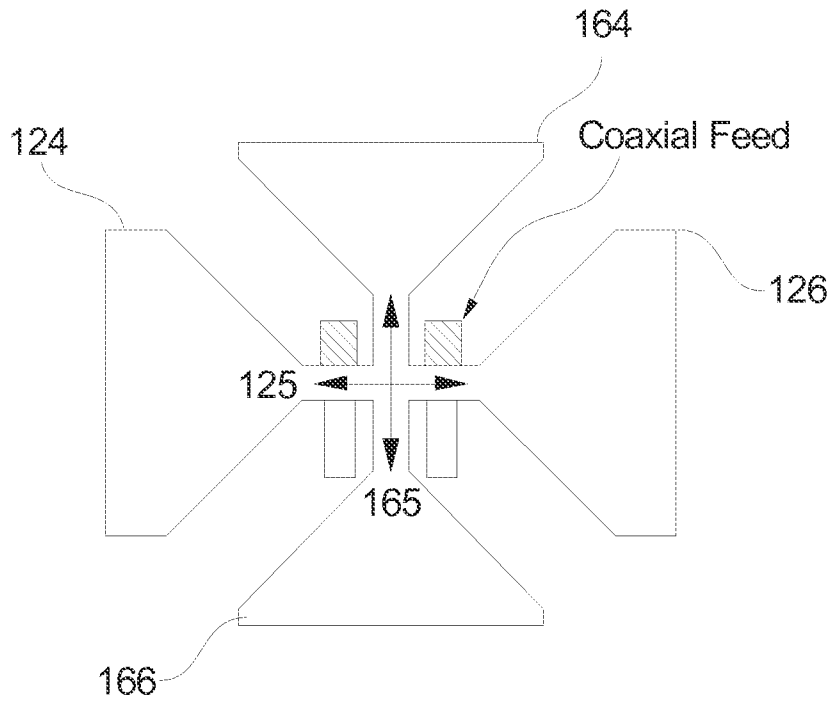


Fig. 2A

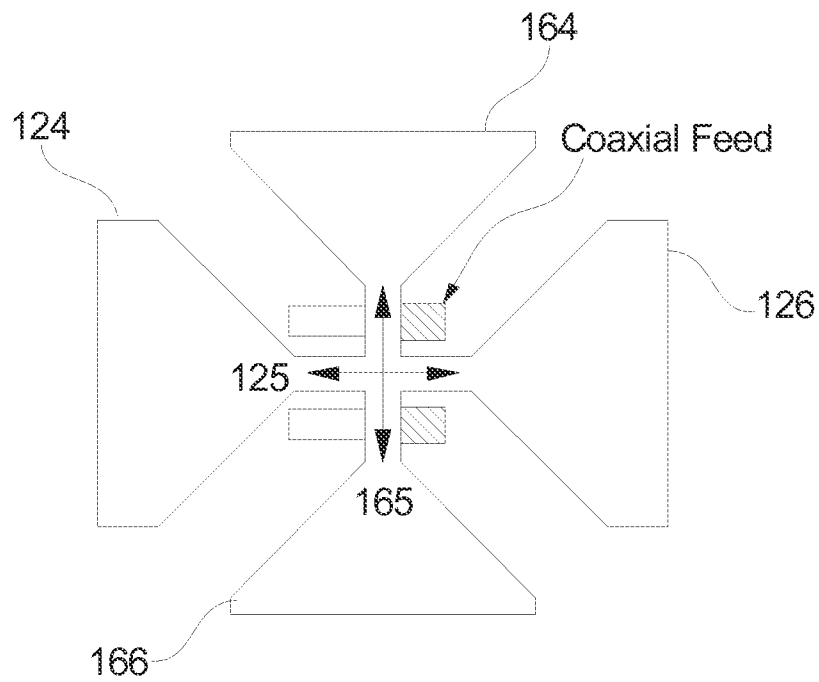


Fig. 2B

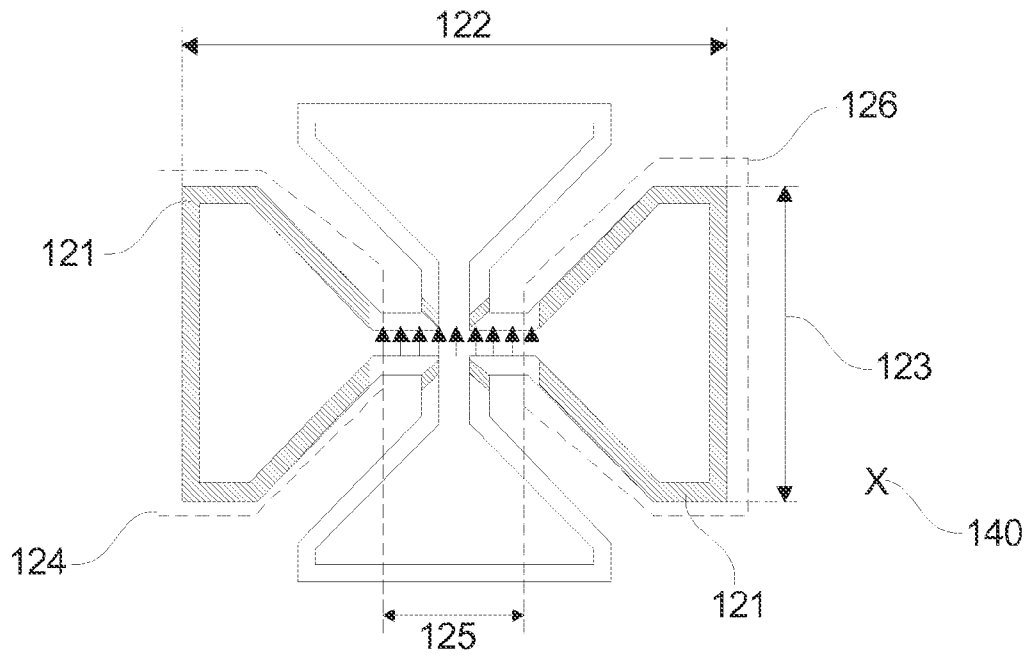


Fig. 3A

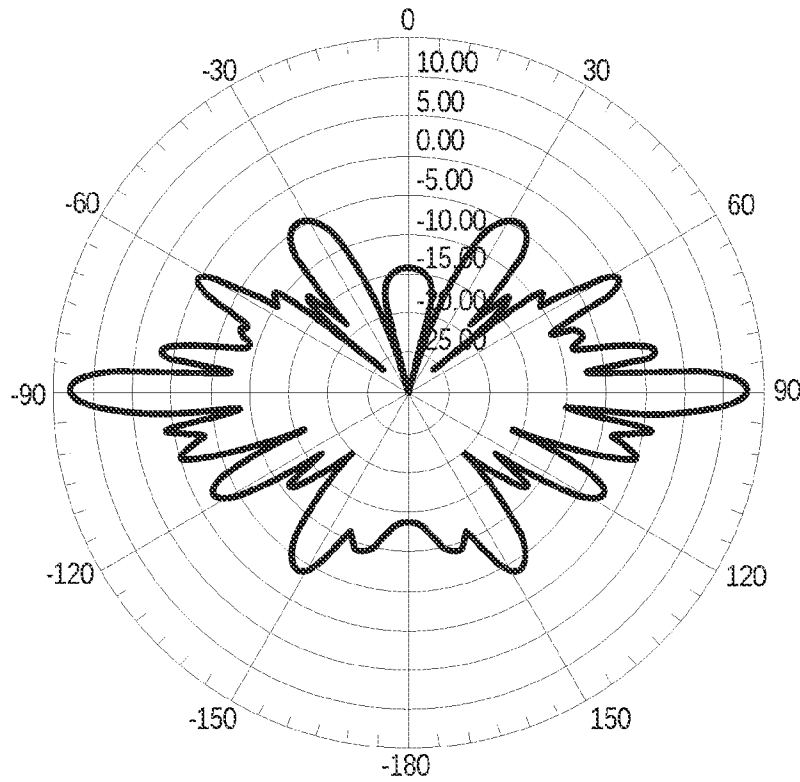


Fig. 3B

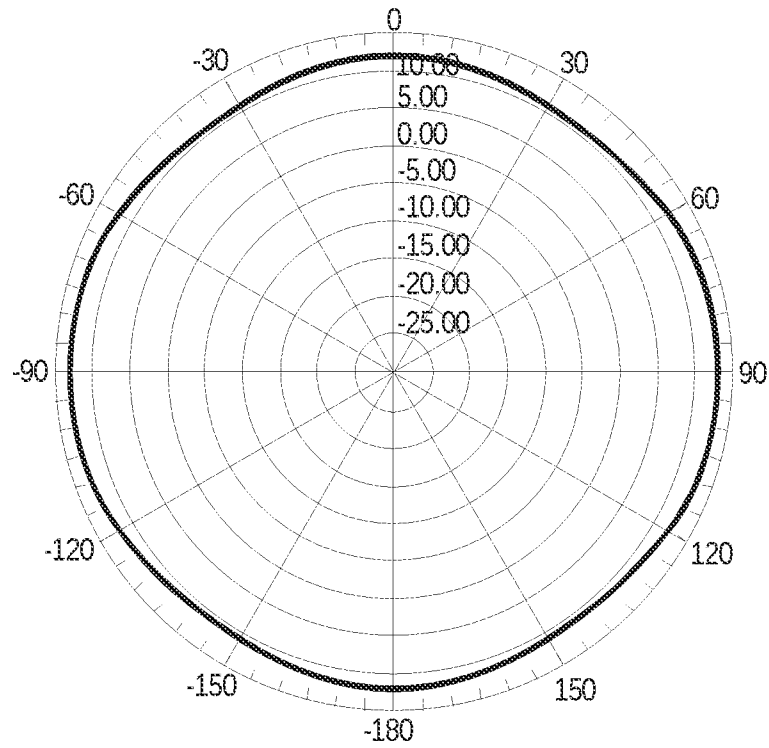


Fig. 3C

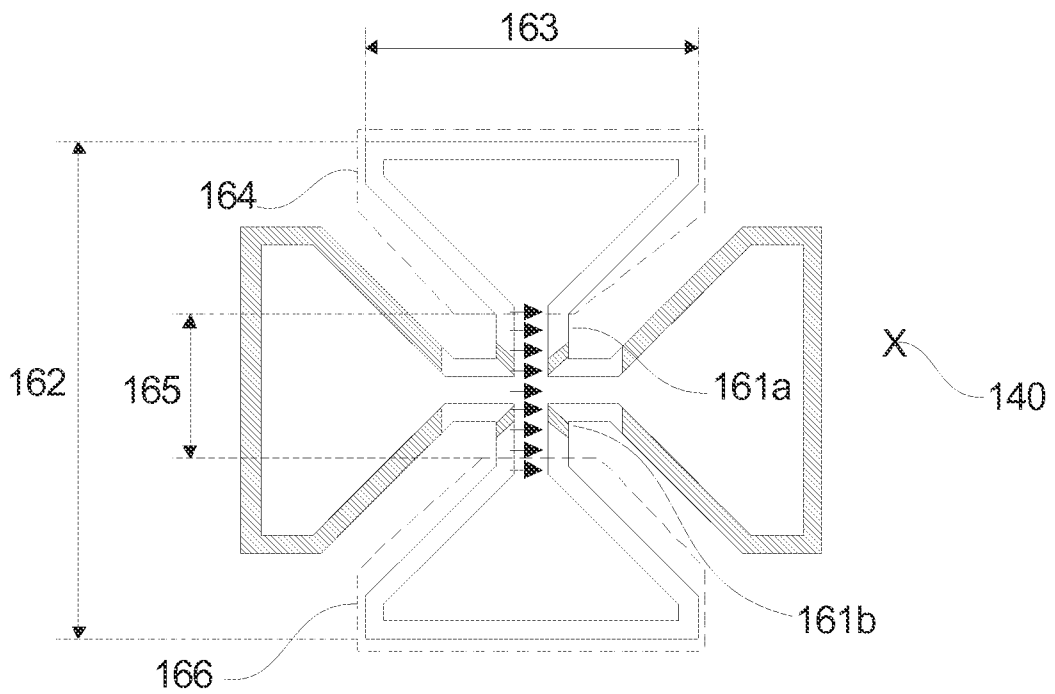


Fig. 4A

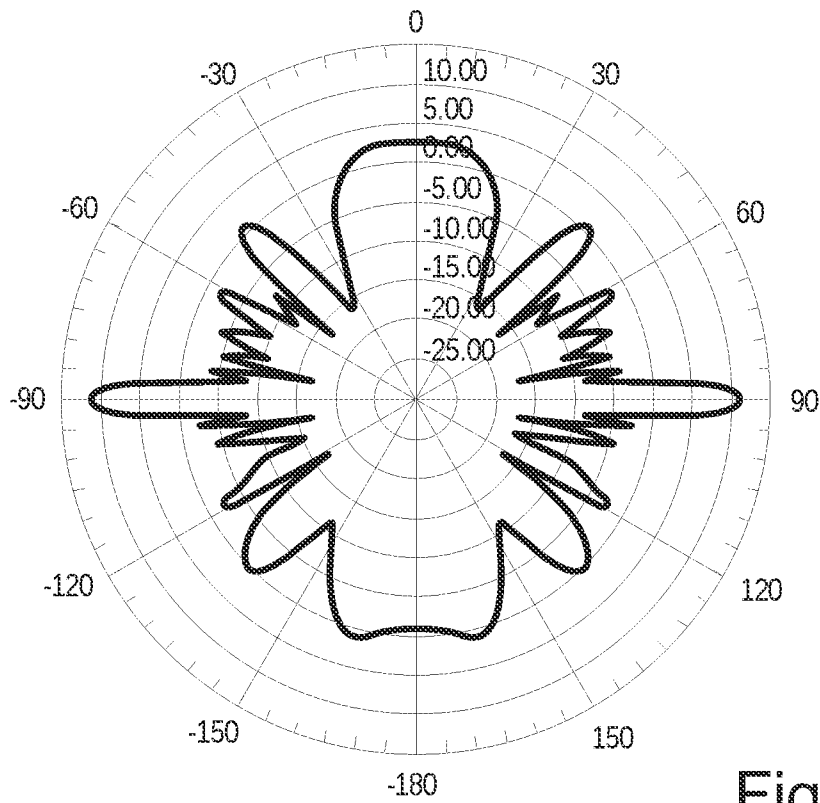


Fig. 4B

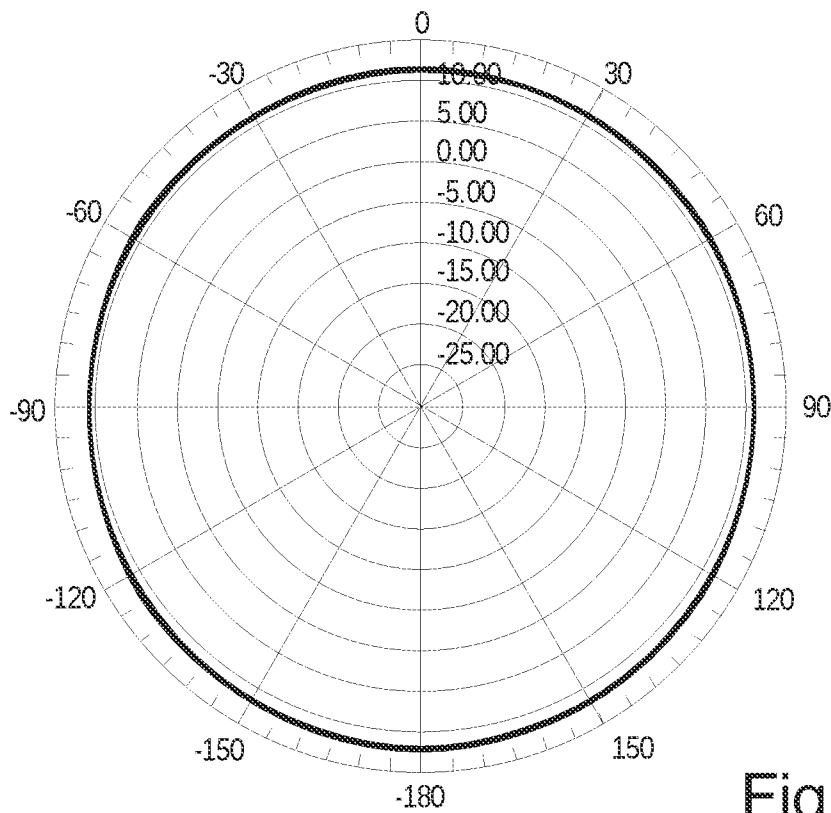


Fig. 4C

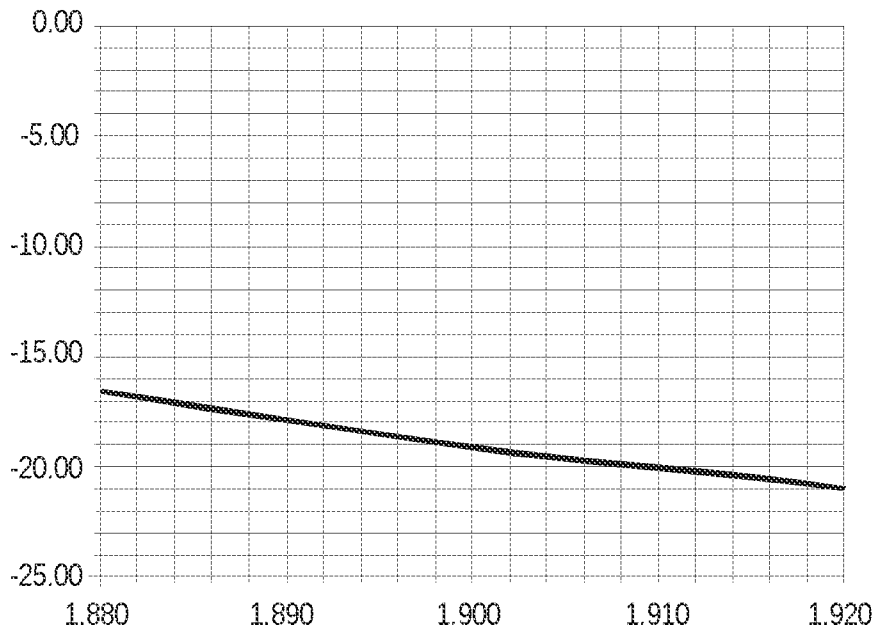


Fig. 5A

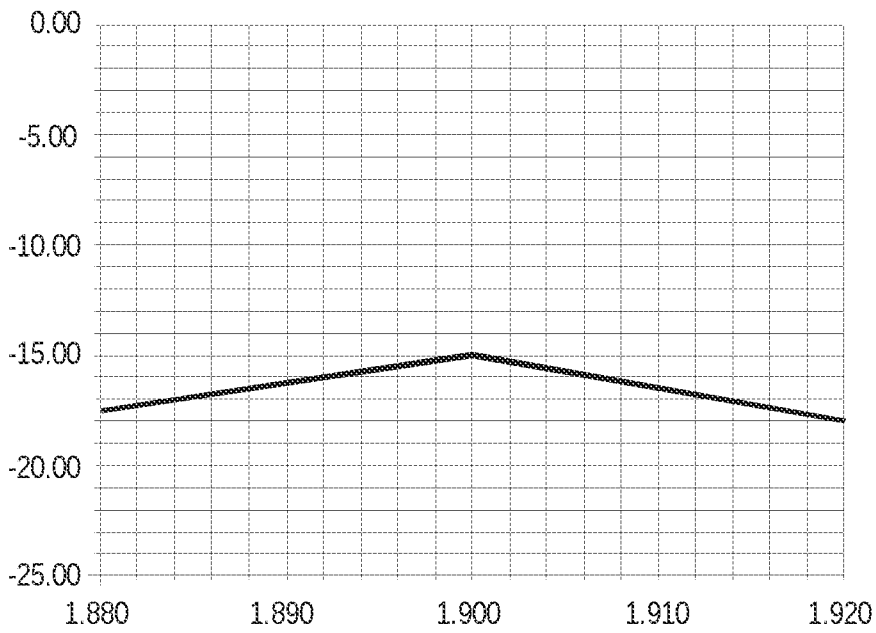


Fig. 5B

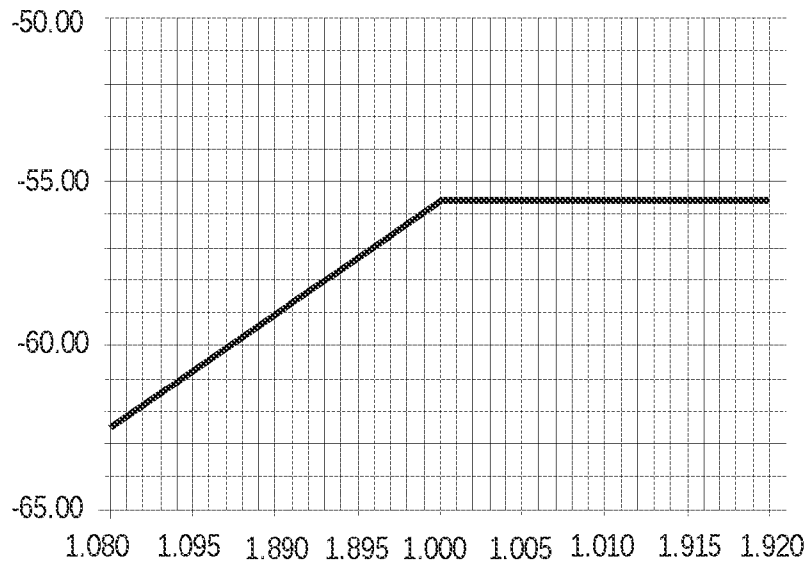


Fig. 5C

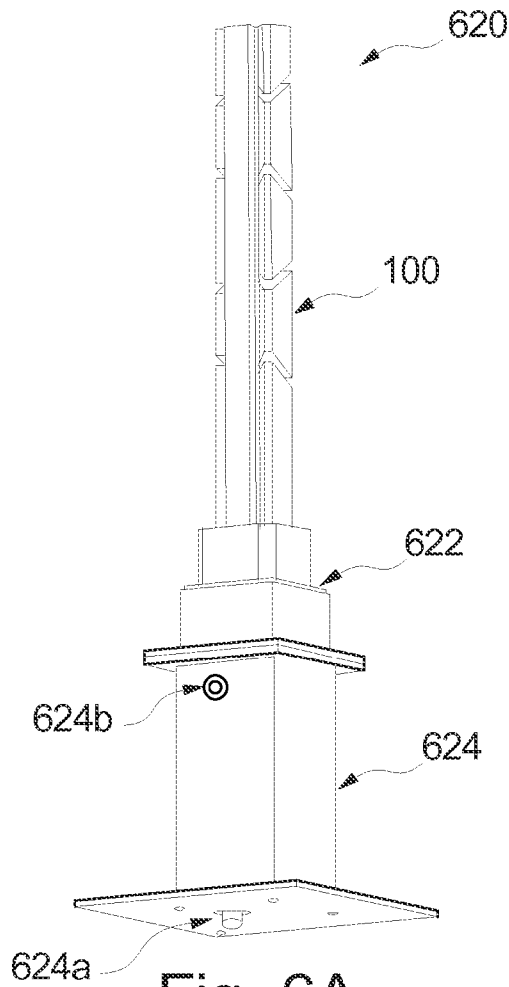


Fig. 6A

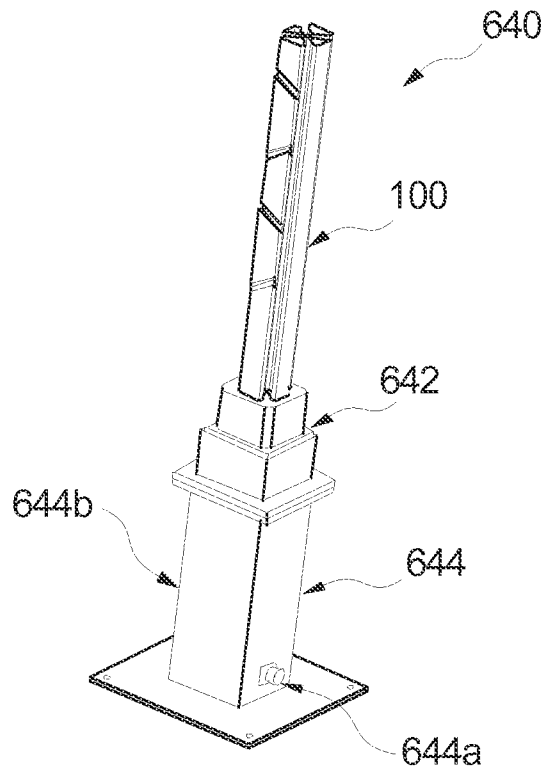


Fig. 6B

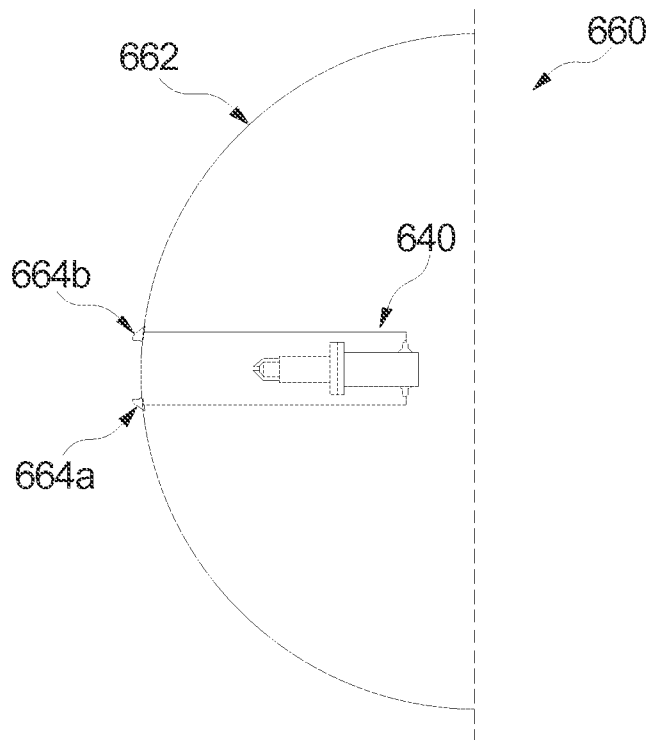


Fig. 6C

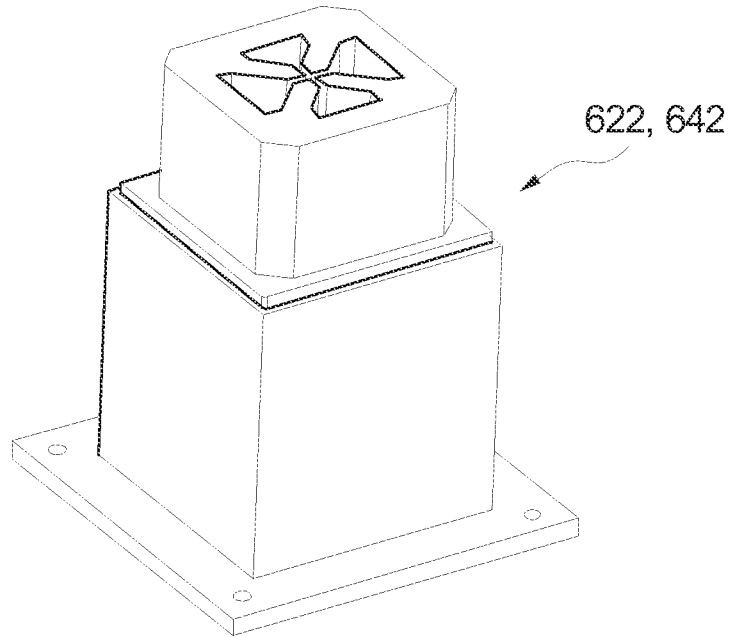


Fig. 6D

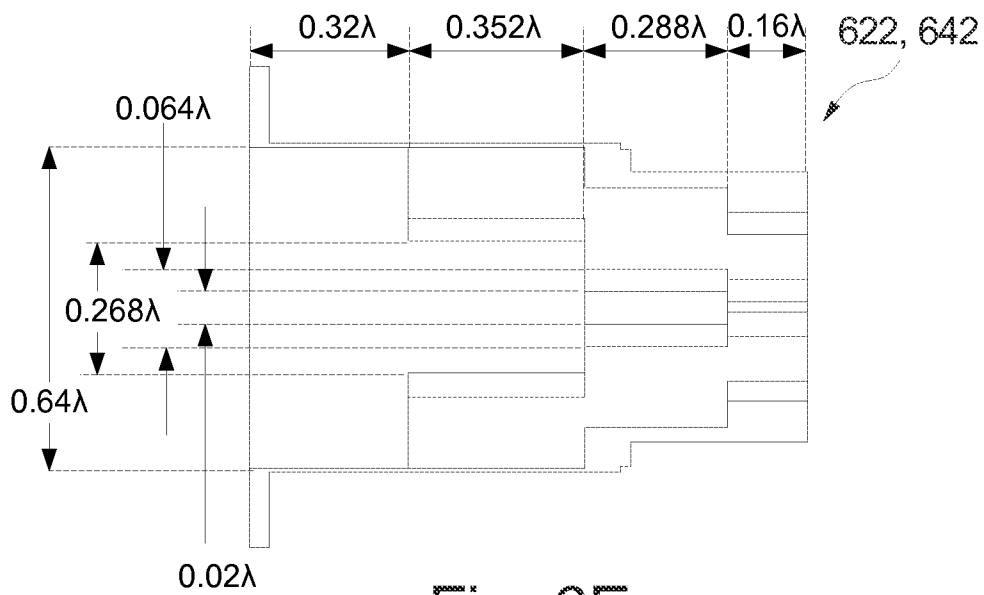


Fig. 6E

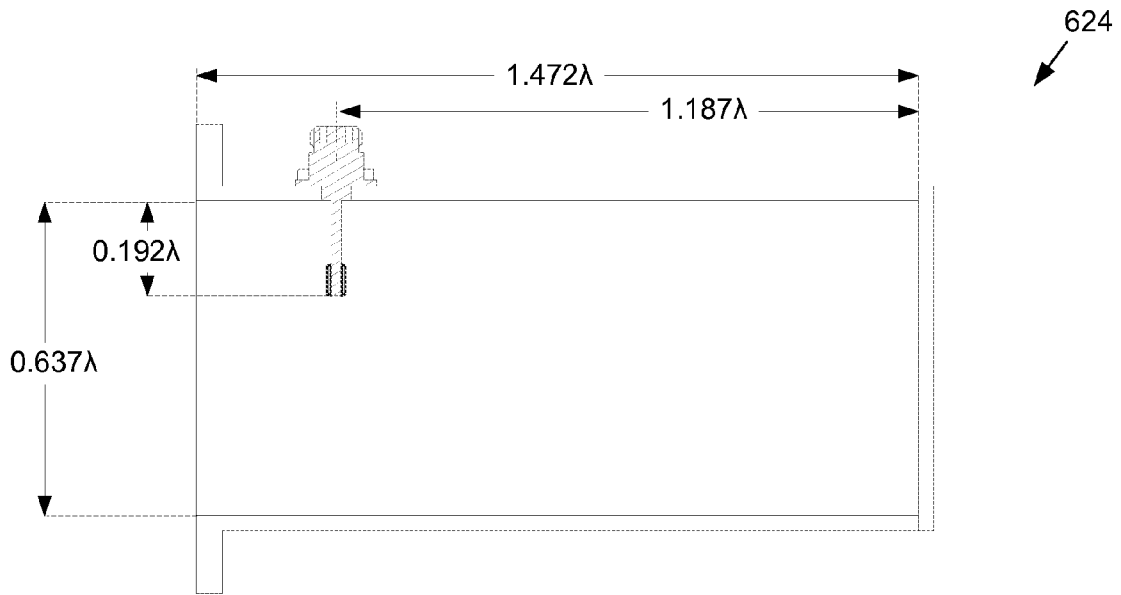


Fig. 6F

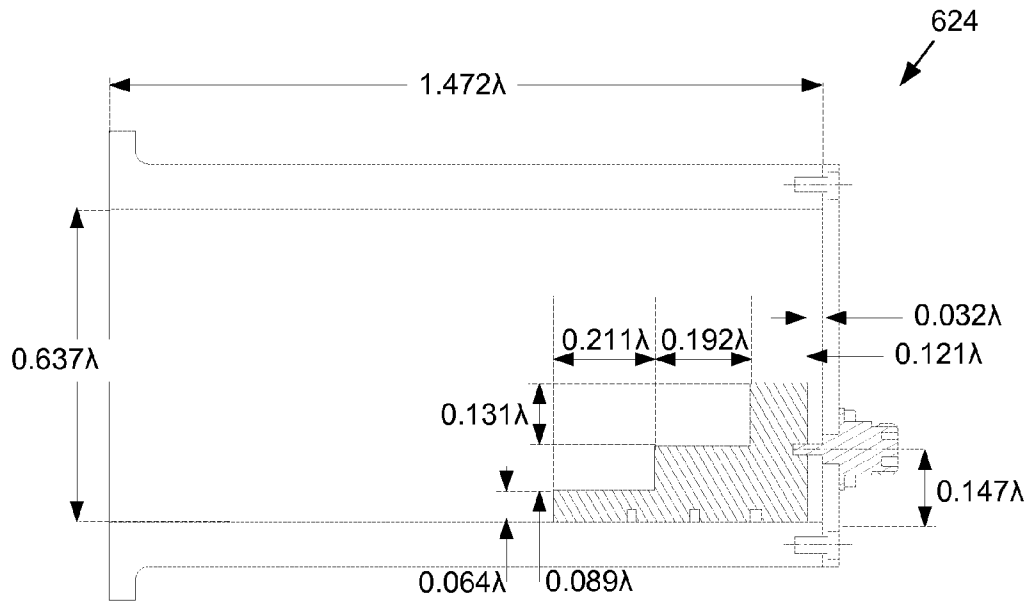


Fig. 6G

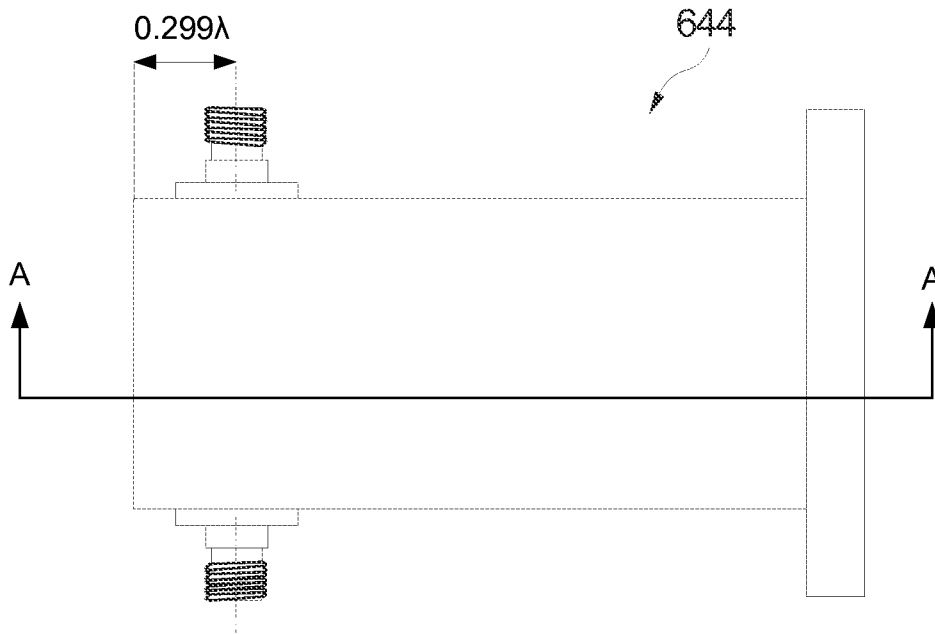


Fig. 6H

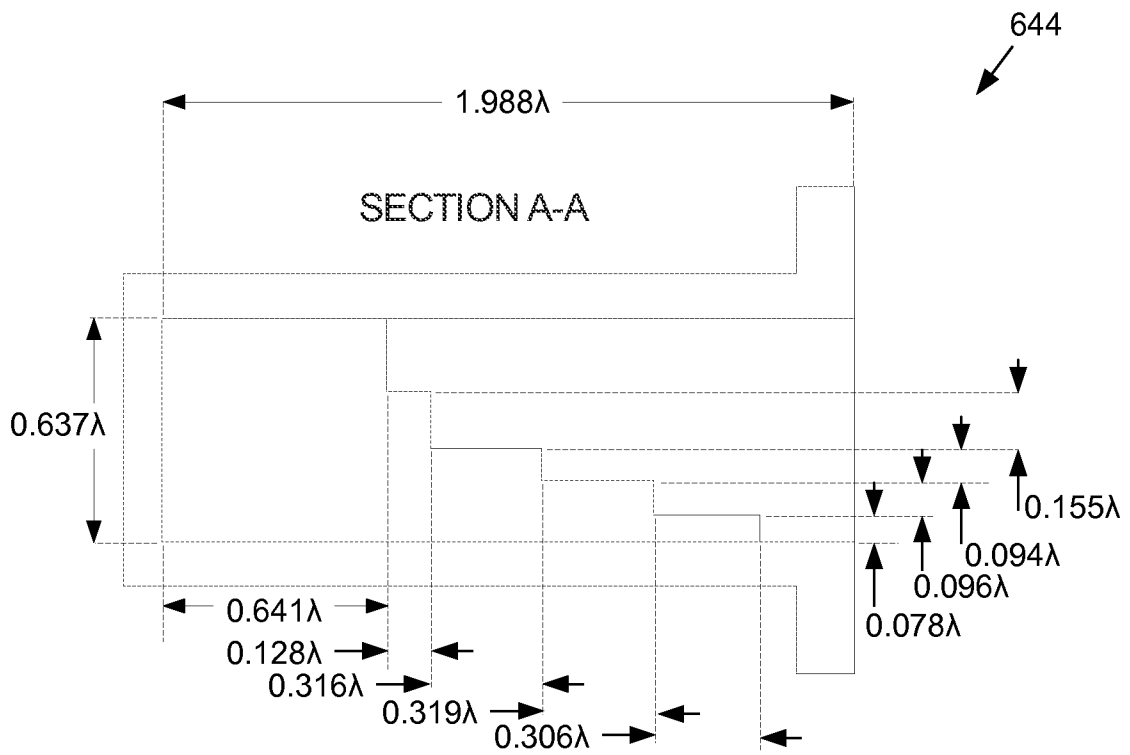


Fig. 6I

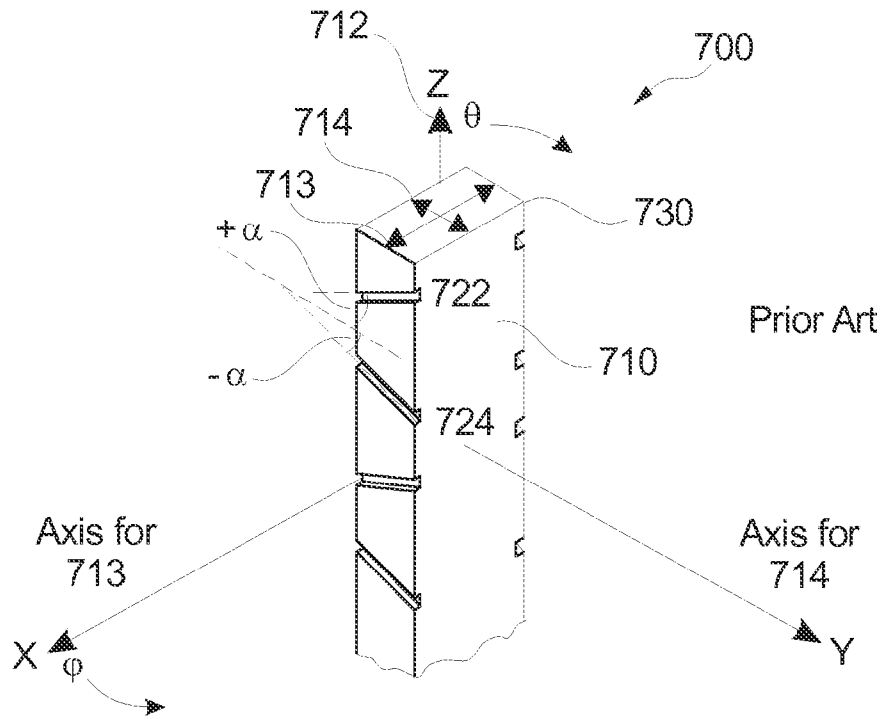


Fig. 7A

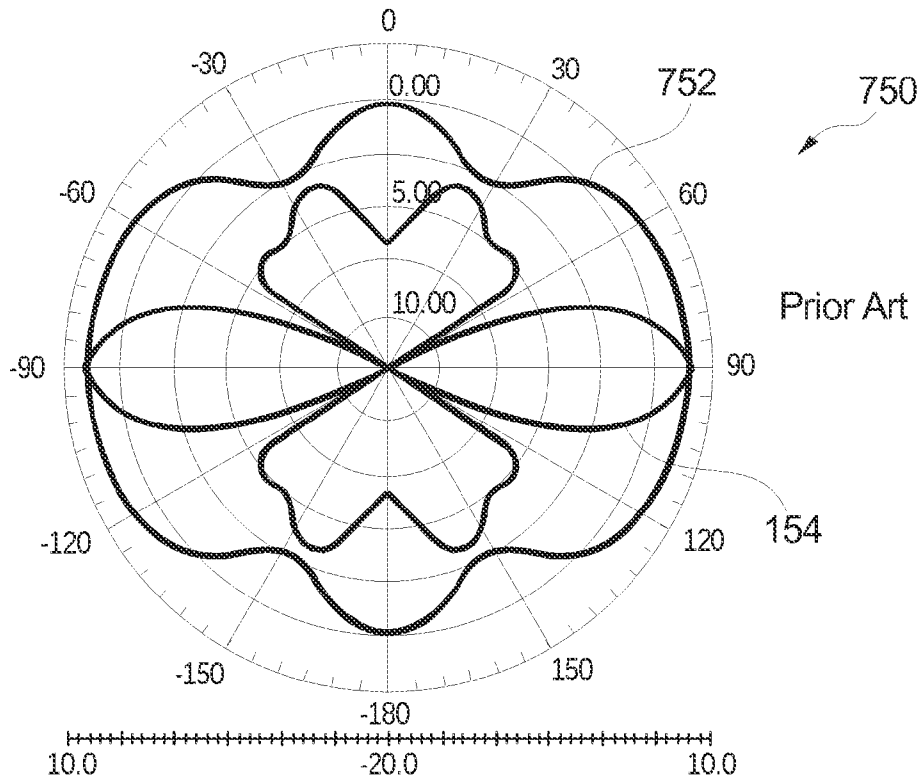
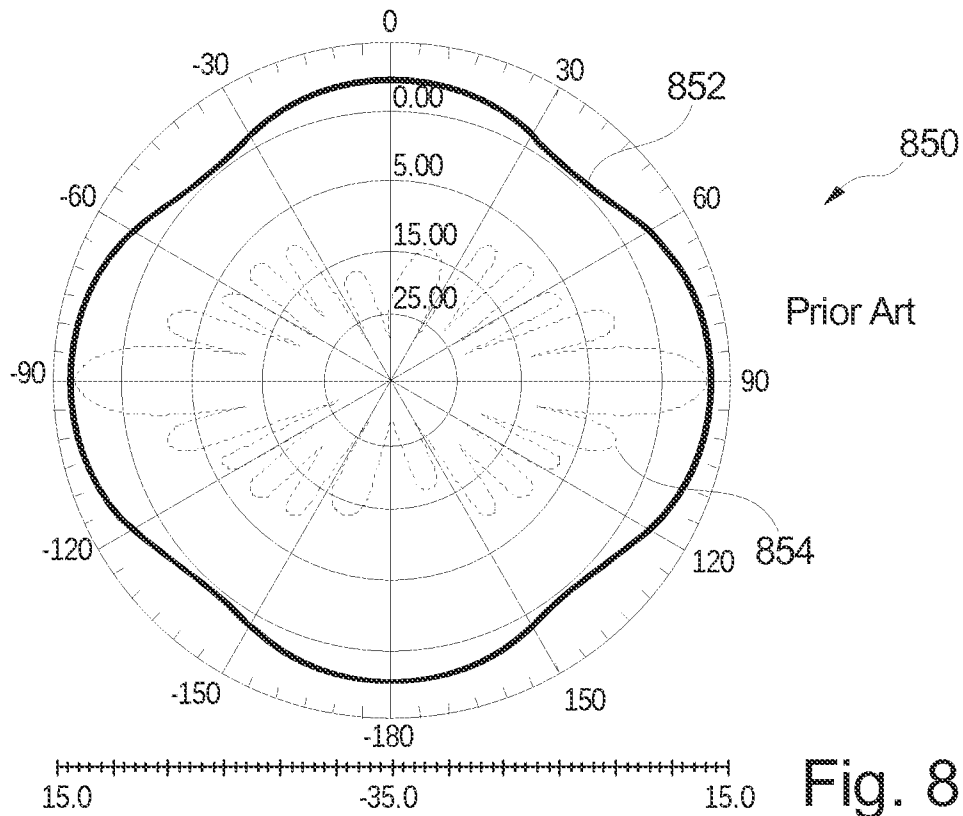
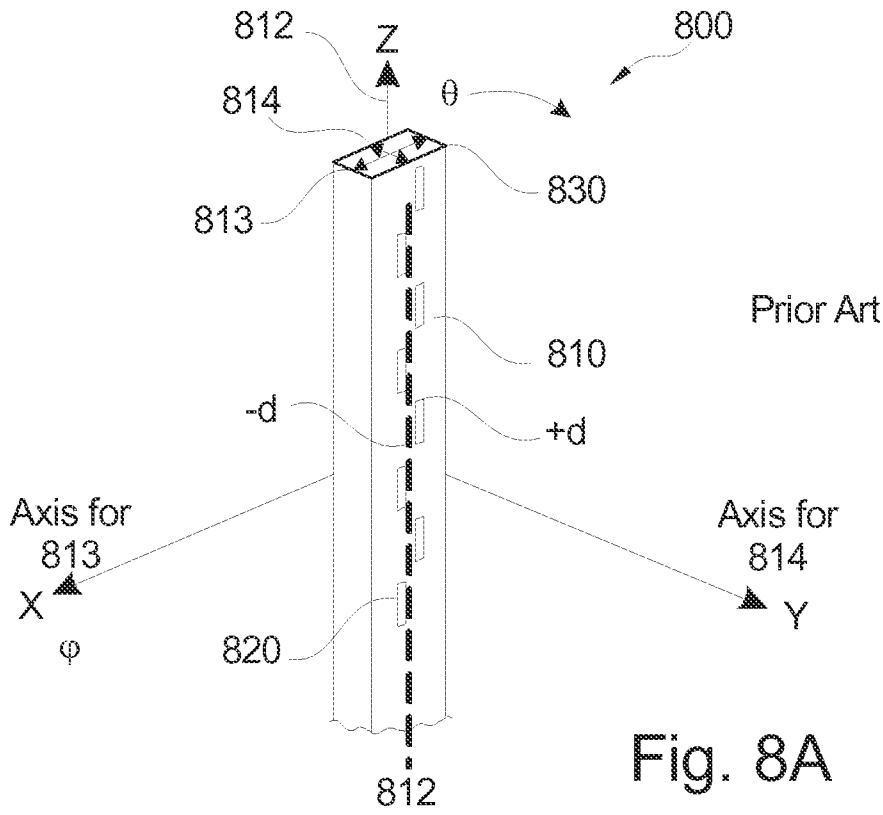


Fig. 7B



1

DUAL POLARIZED WAVEGUIDE SLOT ARRAY AND ANTENNA

CROSS-REFERENCE TO RELATED APPLICATIONS

This application claims the benefit of priority of U.S. provisional application 61/372,214 entitled "Dual Polarized Waveguide Slot Array," filed Aug. 10, 2010, the contents of which are herein incorporated by reference in its entirety for all purposes.

BACKGROUND

The present invention relates to waveguide antennae, and more particularly to dual polarized waveguide slot array antennae.

Waveguide slot array antennae are well known in the art, and are typically employed for providing high power capability in applications, such as base station transmitting antenna arrays.

FIG. 7A illustrates a conventional vertically-polarized waveguide slot array **700** as known in the art. The array **700** includes a waveguide slot body **710** which is operable to support the propagation of a signal along a longitudinal axis **712** (z-axis) of the waveguide slot body **710**. Transverse to the longitudinal axis **712**, the waveguide slot body **710** defines a waveguide aperture having a major dimension **713** (along the x-axis) and a minor dimension **714** (along the y-axis). The major dimension **713** defines the lowest frequency of operation for the array **700**, and is typically 0.5λ in its dimension. The waveguide slot body **710** further includes edge slots **722** and **724**, each angled a in respective positive and negative angular orientations relative to the axis of the minor dimension **714**. An end cap **730** is located at the top of the array **700**.

FIG. 7B illustrates typical radiation patterns **750** for the vertically-polarized waveguide slot array **700** of FIG. 7A. The patterns **750** include an azimuth radiation pattern **752** and an elevation pattern **754**. The azimuth radiation pattern **752** exhibits 8 dB variation, as shown.

FIG. 8A illustrates a conventional horizontally-polarized waveguide slot array **800** with horizontal polarization as known in the art. The array **800** includes a waveguide slot body **810** which is operable to support the propagation of a signal along a longitudinal axis **812** (z-axis) of the waveguide slot body **810**. Transverse to the longitudinal axis **812**, the waveguide slot body **810** defines a waveguide aperture having a major dimension **813** (along the x-axis) and a minor dimension **814** (along the y-axis). The major dimension **813** defines the lowest frequency of operation for the array **800**, and is typically 0.5λ in its dimension. The waveguide slot body **810** further includes longitudinal slots **820**, each slot offset a predefined distance from a center line defining the major axis **812** of the waveguide body **810**, adjacent slots offset in opposing directions from the center line. An end cap **830** is located at the top of the array **800**.

FIG. 8B illustrates typical radiation patterns **850** for the horizontally-polarized waveguide slot array **800** of FIG. 8A. The patterns **850** include an azimuth radiation pattern **852** and an elevation pattern **854**. The azimuth radiation pattern **852** exhibits 4 dB variation, as shown.

As can be observed, the azimuth radiation patterns for each of the conventional vertically and horizontally-polarized waveguide slot arrays vary significantly over the coverage area, meaning that signal levels over these coverage areas vary greatly as a function of the user's position. As a result, a high power transmitter or a high gain antenna is needed to

2

ensure that the minimum signal level is provided to all users, independent of their location. Accordingly, although slot arrays are suitable for high power transmission and reception applications, they cannot be fully deployed in applications where more uniform coverage is needed.

What is accordingly needed is a waveguide slot array which can provide a more uniform radiation pattern.

SUMMARY

The present invention provides an improved dual polarized waveguide slot array which includes a first waveguide and a second waveguide. The first waveguide includes major and minor cross-sectional axes and extends along a common longitudinal axis. The first waveguide further includes a plurality of slots disposed thereon for radiating or receiving signals of a first polarization. The second waveguide is coupled to the first waveguide, extending along the common longitudinal axis and having major and minor cross-sectional axes. The major cross-sectional axis of the second waveguide is oriented substantially orthogonally to the cross-sectional axis of the first waveguide, and the second waveguide includes a plurality of slots disposed thereon for radiating or receiving signals of a second polarization substantially orthogonal to the first polarization.

These and other features of the invention will be better understood in view of the following drawings and detailed description of exemplary embodiments.

BRIEF DESCRIPTION OF THE DRAWINGS

FIGS. 1A-1D illustrate perspective and cross-sectional views of a dual polarized waveguide slot array in accordance with the present invention;

FIGS. 2A and 2B illustrate coaxial feeds for the dual polarized waveguide slot array shown in FIGS. 1A-1D in accordance with the invention;

FIG. 3A illustrates the dual polarized waveguide slot array of FIGS. 1A-1D operating in a vertically-polarized mode in accordance with the present invention;

FIGS. 3B and 3C illustrate respective elevation and azimuth radiation patterns for the dual polarized waveguide slot array of FIG. 3A in accordance with the present invention;

FIG. 4A illustrates the dual polarized waveguide slot array of FIGS. 1A-1D operating in a horizontally-polarized mode in accordance with the present invention;

FIGS. 4B and 4C illustrate respective elevation and azimuth radiation patterns for the dual polarized waveguide slot array of FIG. 4A in accordance with the present invention;

FIGS. 5A-5C illustrate return loss and isolation parameters for the dual polarized waveguide slot array of FIGS. 1A-1D in accordance with the present invention;

FIG. 6A illustrates an exemplary dual linear polarized antenna in accordance with one embodiment of the present invention;

FIG. 6B illustrates an exemplary dual circular polarized antenna in accordance with one embodiment of the present invention;

FIG. 6C illustrates an exemplary reflector antenna in accordance with one embodiment of the present invention;

FIGS. 6D and 6E illustrate views of an exemplary ridge waveguide to square waveguide transformer in accordance with the invention;

FIGS. 6F and 6G illustrate views of a square waveguide to coaxial input adapter in accordance with the invention;

FIGS. 6H and 6I illustrate views of a septum polarizer in accordance with the invention;

FIG. 7A illustrates a conventional vertically-polarized waveguide slot array as known in the art;

FIG. 7B illustrates a typical elevation and azimuth radiation pattern for the vertically-polarized waveguide slot array of FIG. 7A;

FIG. 8A illustrates a conventional horizontally-polarized waveguide slot array as known in the art; and

FIG. 8B illustrates a typical elevation and azimuth radiation pattern for the horizontally-polarized waveguide slot array of FIG. 8A.

For clarity, previously described features retain their reference indices in subsequent drawings.

DETAILED DESCRIPTION OF EXEMPLARY EMBODIMENTS

FIGS. 1A-1D illustrate perspective and cross-sectional views of a dual polarized waveguide slot array in accordance with the present invention. For clarity, each of the perspective views shown in FIGS. 1A and 1B illustrate one isolated portion of the integrated dual polarized waveguide slot array. The cross-sectional view shown in FIG. 1C and the perspective view of FIG. 1D shows the integrated array in accordance with the invention.

The array 100 includes a first waveguide 120 having major and minor cross-sectional axes 122, 123, and extending along a common longitudinal axis 140. The first waveguide 120 further includes a plurality of slots 121, herein referred to as edge slots disposed on the first waveguide 120 for radiating or receiving signals of a first polarization. As shown, the first and second waveguides 120 and 160 are integrally formed so as to form a single wall defining the periphery of the array 100.

The array 100 further includes a second waveguide 160 which is coupled to the first waveguide 120, as shown. The second waveguide section 160 extends along the common longitudinal axis 140 and includes major and minor cross-sectional axes 162, 163. Exemplary, the major cross-sectional axis 162 of the second waveguide 160 oriented substantially orthogonally to the cross-sectional axis 122 of the first waveguide 120. The second waveguide 160 includes a plurality of slots 161, herein referred to as "longitudinal slots", disposed on the second waveguide section 160 for radiating or receiving signals of a second polarization which is substantially orthogonal to the first polarization. In one exemplary embodiment, the signal polarization is linear, and accordingly, the first and second polarized signals are vertically- and horizontally-polarized signals. In another embodiment, the signal polarization is circular, and accordingly, the first and second polarized signals are right and left hand circularly polarized signals. Further exemplary, the signals of the first and second polarization operate substantially at the same radio frequency, exemplary in the range from 0.5-30 GHz, e.g., within any of the L, X, Ku, Ka frequency bands. In another embodiment, the first and second waveguides are sized to support the propagation of signals operating at different frequencies.

The first waveguide section 120 is operable to support the propagation of a first signal with the first polarization (e.g., a vertically-polarized radio frequency signal), and exemplary includes two outer waveguide sections 124, 126 which are laterally-opposed along the major cross-section axis 122, and an inner waveguide section 125 coupled between the two outer waveguide sections 124 and 126.

Further exemplary, one or more edge slots 121 (shown shaded gray in FIG. 1D) are disposed in each of the two outer waveguide sections 124, 126. As shown, the transition from the two outer waveguide sections 124, 126 to the inner

waveguide section 125 in one embodiment is a linear taper, although other transition geometries may be used in alternative embodiments, for example, one or more steps, or a non-linear taper. Further exemplary of the first waveguide section 120, each of the edge slots 121 extend around a majority of the periphery of the two outer waveguide sections 124, 126 (shown as extending around 3 sides of each outer waveguide section 124, 126). Even more particularly, each outer waveguide section 124, 126 includes adjacent edge slots 121a, 121b, whereby the adjacent edge slots are complementary-angled $\pm\beta$ degrees relative to the minor cross-sectional axis of the first waveguide section. Exemplary, angle θ is an angle ranging from 10-35 degree, e.g., 23 degrees.

The second waveguide section 160 is operable to support the propagation of a second signal with the second polarization (e.g., a horizontal-polarized radio frequency signal), and exemplary includes two outer waveguide sections 164, 166 which are laterally-opposed along the major cross-section axis 162, and an inner waveguide section 165 coupled between the two outer waveguide sections 164 and 166. Further exemplary, a plurality of longitudinal slots 161 is disposed along the longitudinal axis of the inner waveguide section 165. As shown, the transition from the two outer waveguide sections 164, 166 to the inner waveguide section 165 in one embodiment is a linear taper, although other transition geometries may be used in alternative embodiments, for example, one or more steps, or a non-linear taper. Further exemplary, the inner waveguide sections 125 and 165 combine to form a four-way cross as shown in FIGS. 1C and 1D, and in this manner the first and second waveguides are joined together.

Further exemplary of the second waveguide section 160, the plurality of slots 161 includes adjacently located slots 161a and 161b which are oppositely offset predefined distances $\pm\Delta$ from a center line 167 of the major cross-sectional axis 162. Exemplary the distance ranges from $\lambda_g/20$ - $\lambda_g/5$, and is exemplary $\lambda_g/10$, where λ_g represents the guide wavelength of the signal operating within the second waveguide 160. Further exemplary, the adjacent slots 161a and 161b are offset longitudinally a predefined distance, e.g., $\lambda_g/2$ in separation.

Further exemplary, each of the edge slots 121 extend around a majority of the periphery of the two outer waveguide sections 124, 126. Even more particularly, each outer waveguide section 124, 126 includes adjacent edge slots 121a, 121b, whereby the adjacent edge slots are complementary-angled a predefined angle β relative to the minor cross-sectional axis of the first waveguide section. Exemplary, angle β is an angle ranging from 10-35 degree, e.g., 23 degrees.

Further exemplary of the second waveguide 160, the longitudinal slots 161 are disposed in the inner waveguide section 165 at predefined complementary angles $\pm\alpha$ relative to the minor cross-section axis 163 of the second waveguide 160. Exemplary, angle α ranges from 10-80 degrees, and exemplary is 45 degrees. As shown, the longitudinal slots 161 are disposed (exemplary mirrored in location and dimensions) on both broadsides of the inner waveguide section 165.

The array 100 is capped at one end (shown in FIGS. 1A-1C as the top or the upper most portion of the array 100) and extends along the opposing longitudinal end to additional waveguide structures/components, for example, to a ridge waveguide to square waveguide transformer and/or a square waveguide to coaxial input adapter, shown in FIGS. 6A-6C described below.

Exemplary, the array 100 is constructed from a material such as copper, brass, aluminum, Kovar, or other materials

used in the field of waveguides. Further exemplary, the waveguides are sized to support the propagation of a desired signal, e.g., the major and minor cross-section dimensions of the first and second waveguides **120** and **160** are selected such that those waveguides operate above the cut-off frequency therefor. Various manufacturing techniques can be used to produce the array **100**, for example numerically-controlled machining, casting, or other waveguide construction techniques.

FIGS. **2A** and **2B** illustrate coaxial feeds for the dual polarized waveguide slot array in accordance with the invention. FIG. **2A** illustrates placement of the coaxial feeds for the first waveguide section **120**, and FIG. **2B** illustrate placement of the coaxial feeds for the second waveguide section **160**. Exemplary, a power divider can be used to supply in-phase power to each of the feeds for both of the embodiments shown in FIGS. **2A** and **2B**. Alternatively, the array **100** may be coupled to a transformer, and the feeds may be located in exemplary arrangements shown in FIGS. **6A-6C** and **6F-6I** below.

FIG. **3A** illustrates the dual polarized waveguide slot array **100** operating in a first polarization mode, exemplary a vertically-polarized mode in accordance with the present invention. As shown, an electric field of the propagating signal extends vertically between the broadsides of the inner waveguide section **125** of the first (vertical) waveguide **120**.

FIGS. **3B** and **3C** illustrate respective elevation ($\phi=90$ degrees) and azimuth ($\theta=90$ degrees) radiation patterns for the dual polarized waveguide slot array **100** when operating in the first/vertical polarization mode over the frequency range of 1.88-1.920 GHz.

FIG. **4A** illustrates the dual polarized waveguide slot array **100** operating in a second polarization mode, exemplary a horizontally-polarized mode in accordance with the present invention. As shown, an electric field of the propagating signal extends horizontally between the broadsides of the inner waveguide section **165** of the second (horizontal) waveguide **160**.

FIGS. **4B** and **4C** illustrate respective elevation ($\phi=90$ degrees) and azimuth ($\theta=90$ degrees) radiation patterns for the dual polarized waveguide slot array **100** when operating in the second/horizontal polarization mode over the frequency range of 1.88-1.920 GHz.

FIGS. **5A-5C** illustrate return loss and isolation parameters for the dual polarized waveguide slot array **100**. FIG. **5A** illustrates the return loss (relative to 50 ohms) of the input into the first waveguide **120** over the frequency range of 1.88-1.920 GHz, with a maximum **S11** being less than -15 dB. FIG. **5B** illustrates the output return loss (relative to 50 ohms) of the output of the second waveguide **160** over the frequency range of 1.88-1.920 GHz, with a maximum **S33** being less than -15 dB. FIG. **5C** illustrates the cross-polarization isolation between the first and second waveguides **120** and **160** over the frequency range of 1.88-1.920 GHz, with a maximum **S13** being less than -55 dB. As can be seen from these performance graphs, the dual polarized waveguide slot array provides near omni-directional coverage with good input and output matching with very little cross-polarization leakage.

FIG. **6A** illustrates a dual linear polarized antenna **620** which incorporates the afore-described array **100** in accordance with one embodiment of the present invention. The dual linear polarized antenna **620** includes the array **100**, a ridge waveguide to square waveguide transformer **622** and a square waveguide to coaxial input adapter **624**. The transformer **622** is coupled to each of the first and second waveguides, e.g., the cross section of the bottom portion of the array **100** is coupled to the transformer **622** to form a

transition thereto. The adapter **624** includes a horizontal signal port **624a** for receiving or outputting a horizontally-polarized signal, and a vertical signal port **624b** for receiving or outputting a vertically-polarized signal. The transformer **622** and adapter **624** are conventional components or can be manufactured through conventional techniques, such as Electrical Discharge Machining (EDM) or die casting. An exemplary embodiment of the ridge waveguide to square waveguide transformer **622** is shown in FIGS. **6D** and **6E**. An exemplary embodiment of the square waveguide to coaxial input adapter **624** is shown in FIGS. **6F** and **6G**.

FIG. **6B** illustrates an exemplary dual circular polarized antenna **640** which incorporates the afore-described array **100** in accordance with one embodiment of the present invention. The dual circular polarized antenna **640** includes the array **100**, a ridge waveguide to square waveguide transformer **642** and a septum polarizer **644**. The septum polarizer **644** includes a RHCP port **644a** for receiving or outputting a right-hand circularly polarized signal, and a LHCP signal port (oppositely-located on the septum polarizer **644**) **644b** for receiving or outputting a left-hand circularly polarized signal. An exemplary embodiment of the ridge waveguide to square waveguide transformer **622** is shown in FIGS. **6D** and **6E**. An exemplary embodiment of the septum polarizer **644** is shown in FIGS. **6H** and **6I**.

FIG. **6C** illustrates an exemplary reflector antenna **660** which incorporates the afore-described array **100** in accordance with one embodiment of the present invention. The reflector antenna **660** includes the dual circular polarized antenna **640** shown in FIG. **6B** illuminating or receiving a signal from a reflector dish **662**. Respective right- and left-hand circularly polarized signals are input/output to the antenna **660** via ports **664a** and **664b**. The reflector dish **662** may be a conventional component, or can be manufactured using a signal-reflective material, such as aluminum.

FIGS. **6D** and **6E** illustrate views of exemplary ridge waveguide to square waveguide transformers **622** and **642**, respectively, in accordance with the invention. FIGS. **6F** and **6G** illustrate views of a square waveguide to coaxial input adapter **624** in accordance with the invention. FIGS. **6H** and **6I** illustrate views of a septum polarizer **644** in accordance with the invention. The adapter **624** and polarizer **644** represent an alternative embodiment of the feed structures shown in FIGS. **2A** and **2B**, and may provide advantages when it is difficult to manufacture the coaxial probes shown in FIGS. **2A** and **2B** to be of substantially equal lengths (e.g., $\pm 5\%$ of each other).

The dual polarized waveguide slot array **100** and incorporating antennae **620**, **640** and **660** can be employed in several applications. For example, each can be used as a diversity antenna in which the first and second waveguide sections **120** and **160** of the array **100** operate at the same frequency, or at different frequencies. In a specific embodiment, the array **100** and its corresponding antenna **620**, **640** and **660** are implemented in a 1.8 GHz GSM system, a 2.2 GHz WiFi System, or a 3.5 GHz WiMax system, providing polarization diversity per antenna for each system.

As readily appreciated by those skilled in the art, the described processes and operations may be implemented in hardware, software, firmware or a combination of these implementations as appropriate. In addition, some or all of the described processes and operations may be implemented as computer readable instruction code resident on a computer readable medium, the instruction code operable to control a computer or other such programmable device to carry out the intended functions. The computer readable medium on which

the instruction code resides may take various forms, for example, a removable disk, volatile or non-volatile memory, etc.

The terms “a” or “an” are used to refer to one, or more than one feature described thereby. Furthermore, the term “coupled” or “connected” refers to features which are in communication with each other (electrically, mechanically, thermally, as the case may be), either directly, or via one or more intervening structures or substances. The sequence of operations and actions referred to in method flowcharts are exemplary, and the operations and actions may be conducted in a different sequence, as well as two or more of the operations and actions conducted concurrently. Reference indicia (if any) included in the claims serve to refer to one exemplary embodiment of a claimed feature, and the claimed feature is not limited to the particular embodiment referred to by the reference indicia. The scope of the claimed feature shall be that defined by the claim wording as if the reference indicia were absent therefrom. All publications, patents, and other documents referred to herein are incorporated by reference in their entirety. To the extent of any inconsistent usage between any such incorporated document and this document, usage in this document shall control.

The foregoing exemplary embodiments of the invention have been described in sufficient detail to enable one skilled in the art to practice the invention, and it is to be understood that the embodiments may be combined. The described embodiments were chosen in order to best explain the principles of the invention and its practical application to thereby enable others skilled in the art to best utilize the invention in various embodiments and with various modifications as are suited to the particular use contemplated. It is intended that the scope of the invention be defined solely by the claims appended hereto.

What is claimed is:

1. A dual polarized waveguide slot array, comprising:
 - a first waveguide having major and minor cross-sectional axes and extending along a common longitudinal axis, the first waveguide comprising a plurality of slots disposed thereon for radiating or receiving signals of a first polarization, the first waveguide comprising:
 - two outer waveguide sections laterally-opposed along the major cross-section axis; and
 - an inner waveguide section coupled between the two outer waveguide sections, wherein an edge slot is disposed in each of the two outer waveguide sections; and
 - a second waveguide coupled to the first waveguide, the second waveguide extending along the common longitudinal axis and having major and minor cross-sectional axes, the major cross-sectional axis of the second waveguide oriented substantially orthogonally to the cross-sectional axis of the first waveguide, the second waveguide comprising a plurality of slots disposed thereon for radiating or receiving signals of a second polarization substantially orthogonal to the first polarization.
2. The dual polarized waveguide slot array of claim 1, wherein the edge slot disposed on each of the two outer waveguide sections extend around a majority of the periphery of each of the two outer waveguide sections.
3. The dual polarized waveguide slot array of claim 2, wherein a plurality of edge slots is disposed in each of the two outer waveguide sections, and wherein adjacent edge slots are complementary angled relative to the axis of the minor cross-section axis of the first waveguide.

4. The dual polarized slot array of claim 1, wherein the plurality of slots disposed on the first waveguide are operable for radiating or receiving a horizontally polarized signal, and wherein the plurality of slots disposed on the second waveguide are operable for radiating or receiving a vertically polarized signal.

5. The dual polarized slot array of claim 1, wherein the plurality of slots disposed on the first waveguide are operable for radiating or receiving a right hand circularly polarized signal, and wherein the plurality of slots disposed on the second waveguide are operable for radiating or receiving a left hand circularly polarized signal.

6. A dual polarized waveguide slot array, comprising:

a first waveguide having major and minor cross-sectional axes and extending along a common longitudinal axis, the first waveguide comprising a plurality of slots disposed thereon for radiating or receiving signals of a first polarization; and

a second waveguide coupled to the first waveguide, the second waveguide extending along the common longitudinal axis and having major and minor cross-sectional axes, the major cross-sectional axis of the second waveguide oriented substantially orthogonally to the cross-sectional axis of the first waveguide, the second waveguide comprising:

a plurality of slots disposed thereon for radiating or receiving signals of a second polarization substantially orthogonal to the first polarization,

two outer waveguide sections laterally-opposed along the major cross-section axis; and

an inner waveguide section coupled between the two outer waveguide sections,

wherein a plurality of slots is disposed in the inner waveguide section.

7. The dual polarized waveguide slot array of claim 6, wherein each of the plurality of slots extend longitudinally along the common axis.

8. The dual polarized waveguide slot array of claim 7, wherein the plurality of slots comprise adjacent slots which are oppositely offset a predefined distance from a center line of the major cross-sectional axis.

9. The dual polarized slot array of claim 8, wherein adjacent longitudinal slots are disposed into the inner waveguide section at predefined complementary angles relative to the minor cross-section axis of the second waveguide.

10. A dual polarized antenna, comprising:

a dual polarized waveguide slot array, comprising:

a first waveguide having major and minor cross-sectional axes and extending along a common longitudinal axis, the first waveguide comprising a plurality of slots disposed thereon for radiating or receiving signals of a horizontal polarization; and

a second waveguide coupled to the first waveguide, the second waveguide extending along the common longitudinal axis and having major and minor cross-sectional axes, the major cross-sectional axis of the second waveguide oriented substantially orthogonally to the cross-sectional axis of the first waveguide, the second waveguide comprising a plurality of slots disposed thereon for radiating or receiving signals of a vertical polarization;

a ridge waveguide to square waveguide transformer coupled to each of the first and second waveguides; and a square waveguide to coaxial input adapter coupled to the ridge waveguide, the square waveguide including a first

9

port for receiving or outputting a horizontally-polarized signal, and a second port for receiving or output a vertically-polarized signal.

11. The dual polarized antenna of claim 10, wherein the first waveguide comprises:

two outer waveguide sections laterally-opposed along the major cross-section axis; and

an inner waveguide section coupled between the two outer waveguide sections,

wherein an edge slot is disposed in each of the two outer waveguide sections.

12. The dual polarized antenna of claim 11, wherein the edge slot disposed on each of the two outer waveguide sections extend around a majority of the periphery of each of the two outer waveguide sections.

13. The dual polarized antenna of claim 12,

wherein a plurality of edge slots is disposed in each of the two outer waveguide sections, and

wherein adjacent edge slots are complementary angled relative to the axis of the minor cross-section axis of the first waveguide.

14. The dual polarized antenna of claim 10, wherein the second waveguide comprises:

two outer waveguide sections laterally-opposed along the major cross-section axis; and

an inner waveguide section coupled between the two outer waveguide sections,

wherein a plurality of slots is disposed in the inner waveguide section.

15. The dual polarized antenna of claim 14, wherein each of the plurality of slots extend longitudinally along the common axis.

16. The dual polarized antenna of claim 15, wherein the plurality of slots comprise adjacent slots which are oppositely offset a predefined distance from a center line of the major cross-sectional axis.

17. The dual polarized antenna of claim 16, wherein adjacent longitudinal slots are disposed into the inner waveguide section at predefined complementary angles relative to the minor cross-section axis of the second waveguide.

18. The dual polarized antenna of claim 10, wherein the plurality of slots disposed on the first waveguide are operable for radiating or receiving a horizontally polarized signal, and wherein the plurality of slots disposed on the second waveguide are operable for radiating or receiving a vertically polarized signal.

19. The dual polarized antenna of claim 10, wherein the plurality of slots disposed on the first waveguide are operable for radiating or receiving a right hand circularly polarized signal, and wherein the plurality of slots disposed on the second waveguide are operable for radiating or receiving a left hand circularly polarized signal.

20. A reflector antenna, comprising:

a reflector dish, and

a dual polarized waveguide slot array coupled to receive signals from or to transmit signals to the reflector dish, the dual polarized waveguide slot array, comprising:

a first waveguide having major and minor cross-sectional axes and extending along a common longitudinal axis, the first waveguide comprising a plurality of slots disposed thereon for radiating or receiving signals of a right-hand circular polarization, the first waveguide comprising:

two outer waveguide sections laterally-opposed along the major cross-section axis; and

10

an inner waveguide section coupled between the two outer waveguide sections,

wherein an edge slot is disposed in each of the two outer waveguide sections; and

a second waveguide coupled to the first waveguide, the second waveguide extending along the common longitudinal axis and having major and minor cross-sectional axes, the major cross-sectional axis of the second waveguide oriented substantially orthogonally to the cross-sectional axis of the first waveguide, the second waveguide comprising a plurality of slots disposed thereon for radiating or receiving signals of a left-hand circular polarization.

21. The reflector antenna of claim 20, wherein the edge slot disposed on each of the two outer waveguide sections extend around a majority of the periphery of each of the two outer waveguide sections.

22. The reflector antenna of claim 21,

wherein a plurality of edge slots is disposed in each of the two outer waveguide sections, and

wherein adjacent edge slots are complementary angled relative to the axis of the minor cross-section axis of the first waveguide.

23. A reflector antenna, comprising:

a reflector dish, and

a dual polarized waveguide slot array coupled to receive signals from or to transmit signals to the reflector dish, the dual polarized waveguide slot array, comprising:

a first waveguide having major and minor cross-sectional axes and extending along a common longitudinal axis, the first waveguide comprising a plurality of slots disposed thereon for radiating or receiving signals of a right-hand circular polarization; and

a second waveguide coupled to the first waveguide, the second waveguide extending along the common longitudinal axis and having major and minor cross-sectional axes, the major cross-sectional axis of the second waveguide oriented substantially orthogonally to the cross-sectional axis of the first waveguide, the second waveguide comprising:

a plurality of slots disposed thereon for radiating or receiving signals of a left-hand circular polarization, two outer waveguide sections laterally-opposed along the major cross-section axis; and

an inner waveguide section coupled between the two outer waveguide sections,

wherein a plurality of slots is disposed in the inner waveguide section.

24. The reflector antenna of claim 23, wherein each of the plurality of slots extend longitudinally along the common axis.

25. The reflector antenna of claim 24, wherein the plurality of slots comprise adjacent slots which are oppositely offset a predefined distance from a center line of the major cross-sectional axis.

26. The reflector antenna of claim 25, wherein adjacent longitudinal slots are disposed into the inner waveguide section at predefined complementary angles relative to the minor cross-section axis of the second waveguide.

* * * * *